



CYLINDER PALLETS, TRUCK BODIES & TRAILERS



WELDCOA

WELDCOA PALLET SYSTEMS, WITH THE STRONGEST, MOST DEPENDABLE CYLINDER PALLETS IN THE INDUSTRY.

TABLE OF CONTENTS

Modern Manufacturing Overview	2
Sur-Loc™ Overview	4
Sur-Loc™ Pallets and Cages	6
<ul style="list-style-type: none">• Sur-Loc Pallet Options• Sur-Loc Safety Storage and Propane Safety Cages• Sur-Loc Liquid Cylinder Pallet• Sur-Loc 18 Cylinder Gas Pack Pallet Manifold	
Stack-Loc™ Pallets with Sur-Loc Locking System	12
<ul style="list-style-type: none">• Stack-Loc 4 Rail• Stack-Loc MC Acetylene• Stack-Loc B Acetylene• Stack-Loc D&E Medical	
Sur-Loc™ Double Wide & Yard Pallets	16
Sur-Loc™ and Link-Loc™ Storage Racks	18
Sur-Loc™ Truck Bodies & Trailers	20
<ul style="list-style-type: none">• Palletized Truck Bodies• Smart Bed Palletized Truck Bodies• Palletized Trailers	
Pallet Accessories	23
Link-Loc™ Tombstone and Slot Style Pallets	24



WE'RE WITH YOU EVERY STEP OF THE WAY.

A Long History of Innovation

For over 50 years we have made it our mission to support gas distributors. From palletization to specialty gas filling and automation, we have continually innovated solutions that have reshaped our industry. Now we all move more efficiently, fill more consistently and work more productively. That's why so many gas distributors turn to Weldcoa for ways to improve their business.

The Service You Deserve

Become a Weldcoa client and gain access to our knowledgeable team of industry experts. Everyone at Weldcoa is focused on providing you with the highest possible level of service and support.

Proudly Made in the USA

We are a true U.S. manufacturer with the people, equipment and experience necessary to design, manufacture and test a wide range of products for the compressed gas industry.

Our process control and automation ensure the highest quality and consistency.

Focused on Your Success

Everything we do is driven by our motivation to improve your business.

- Reduce costs
- Improve safety
- Increase capacity
- Increase productivity
- Maximize uptime
- Minimize waste
- Ensure long-term performance
- Gain competitive advantage
- Maximize ROI

Your customers will value the difference it makes in their business.

- Consistent mixes
- Broader offerings
- Faster turnaround

MADE IN THE USA. A MODERNIZED MANUFACTURING FACILITY WITH AUTOMATED OPERATIONS.

Ensure that the products and services you depend on are of the highest quality, and will be there when you need them, time and time again.

We've adapted to a new way of working, in order to meet new expectations. We're better, stronger, and will respond with greater agility. More than ever before, we are committed to delivering quality, Made in the USA products and services, that you can always depend on, and that will contribute to the success of your business.

As we embrace a new order of business, our mindset remains unchanged: *quality in - quality out*. That means constant evaluation, constant rethinking, constant innovation, constant improvement. And that is what we have accomplished.

We have reimagined our facility, our manufacturing environment and our processes, all in an effort to provide products and services that provide a greater value to you.





Advanced Manufacturing Execution System

The Epicor Advanced MES (Manufacturing Execution System) delivers the most advanced level of production and process monitoring available today. Our implementation of this Industry 4.0 solution brings a host of benefits to the products and services we provide to you. The system provides accurate data directly from machines and operators to deliver real-time production metrics, analytics and tracking, allowing us to turn data into actionable insights. Built-in best practices bring our overall process to another level of efficiency.

Robotic Welders

The accuracy and consistency provided by the use of robotic welding is paramount to meeting our high quality standards. We have recently doubled the amount of robotic welders at our Aurora, IL facility, generating greater output of our most popular products, including pallets, carts and other equipment components.

Digital Laser Cutting

In our constant effort to control quality throughout our manufacturing process, we recently added additional laser cutting capabilities within our facility. Our automated laser cutting provides for accuracy, high output and reduced waste. Many of our equipment components are now cut on our lasers.

Check Point Quality Inspections

Automation of our complete process has allowed more time for our staff to perform additional quality inspections at various stages throughout the process. All inspections become part of the data within our system which is immediately available and actionable.



**MODERN IMPROVEMENTS TO OUR FACILITY.
A POSITIVE IMPACT ON YOUR BUSINESS.**

THE SUR-LOC™ PALLET SYSTEM. THE RELIABLE SYSTEM, THAT MECHANICALLY LOCKS ONTO THE TRANSPORT STRUCTURE.

Ensure your load is secure during transport

The proven Sur-Loc pallet system is one of the only systems that mechanically locks onto the transportation structure. If the entire truck/trailer structure rotated 180°, the pallets would remain locked onto the frame. Within the US our system is in compliance with 49 CFR 393.102 and 49 CFR 177.840.

Details that make a difference

- 4 point locking system mechanically locks onto transport structure
- 4-way entry and are self-aligning when positioned into a pallet truck or trailer
- The fork pockets are re-enforced to eliminate the possibility of broken plates
- Automatic Safety - Pallet truck forks automatically engage and disengage the mechanical locks
- Visible Safety Check - Drivers and managers can clearly see if the locks are properly engaged





3-Rail Sur-Loc Pallet
Part Number IPSL3R-BTNS-2

Quality construction for all pallet types

All Weldcoa Sur-Loc pallets are manufactured by robots at our facility to ensure quality welds and consistency, pallet after pallet.

Pallets are available in many options for an array of gas cylinder types.

Structural Capabilities

- Holds up to 21 “T” cylinders (18 cylinders are recommended in order to have a center aisle)
- The pallet deck can accommodate any standard 4’ x 4’ wood pallet and cargo
- The corners of the diamond plate deck have been blunted for improved safety
- 4-point patented locking system
- The pallet base is structurally sound
- Grease reservoir lubricates all of the moving parts every time the lock is actuated

Standard Features and Available Options

- Entire pallet is professionally powder-coated with black, textured, non-skid paint for added safety and to also protect from wear, corrosion, impact, and weather
- Standard powder-coated paint is also available
- Galvanizing is an available option for high corrosive environments
- All of our pallets are manufactured by robots at our facility to ensure quality welds and consistency
- 100% made in the USA

SEVERAL STYLE OPTIONS AVAILABLE



Standard Pallet with No Side Rails

- Most Popular Style
- Available in both 3-Rail and 4-Rail models



Standard Pallet with 3/4 Side Rails

- Side rails provide added protection during loading and unloading at customer sites
- Available in both 3-Rail and 4-Rail models



Standard Pallet with Full Side Rails

- Side rails provide added protection during loading and unloading at customer sites
- Available in both 3-Rail and 4-Rail models

PALLET OPTIONS

TEXTURED NON-SKID BLACK PAINT

PRODUCT	DESCRIPTION	ITEM #
No Side Rails	3 Rail, No Sides, Professionally Powder-Coated with Black Textured Non-Skid Paint.	IPSL3R-BTNS
	3 Rail with (1) Strap and Bracket, No Sides, Professionally Powder-Coated with Black Textured Non-Skid Paint.	IPSL3R-BTNS-1
	3 Rail with (2) Straps and Brackets, No Sides, Professionally Powder-Coated with Black Textured Non-Skid Paint.	IPSL3R-BTNS-2
	4 Rail, No Sides, Professionally Powder-Coated with Black Textured Non-Skid Paint .	IPSL4R-BTNS
	4 Rail with (1) Strap and Bracket, No Sides, Professionally Powder-Coated with Black Textured Non-Skid Paint.	IPSL4R-BTNS-1
	4 Rail with (2) Straps and Brackets, No Sides, Professionally Powder-Coated with Black Textured Non-Skid Paint.	IPSL4R-BTNS-2
With Side Rails	3 Rail with(2) 3/4 Side Rails, with Black Textured Non-Skid Paint.	IPSL3R-BT3S
	3 Rail with (2) Full Side Rails, Professionally Powder-Coated with Black Textured Non-Skid Paint.	IPSL3R-BT3F
	4 Rail with(2) 3/4 Side Rails, Professionally Powder-Coated with Black Textured Non-Skid Paint.	IPSL4R-BT3S
	4 Rail with (2) Full Side Rails, Professionally Powder-Coated with Black Textured Non-Skid Paint.	IPSL4R-BT3F



Professionally Powder-Coated with Textured Non-Skid Black Paint



Sur-Loc Pallet
3 Rail, No Sides



Sur-Loc Pallet
4 Rail, No Sides



SAFETY STORAGE CAGES AND PROPANE SAFETY CAGES



Keep Cylinders Secure at Your Facility and During Transport

Our cages are built on a standard Sur-Loc pallet. They have two swinging doors that are secured by a lock. The cylinders are secured with binder straps within the cage that is manufactured to be self-contained. They can be used indoors as well as outdoor. A center shelf is included in both designs. The full cage allows for maximum storage capacity.

Standard Features and Available Options

- 4-Point crane lifting eyes, with an additional single point lifting eye, are incorporated into the frame
- 4-Way forklift accessible from the bottom.
- Built on a standard Weldcoa Pallet Base with the patented Sur-Loc™ Locking Mechanism
- The pallet base is structurally sound
- A grease reservoir that lubricates all of the moving parts every time the lock is actuated (We recommend using an anti-seize compound rather than grease to lubricate the pallet locks)
- Entire pallet is professionally powder-coated for added safety and to also protect from wear, corrosion, impact, and weather
- Complies with Federal DOT regulations
- 100% Made in the USA



PRODUCT	DESCRIPTION	ITEM #
Safety Storage Cages	Instaload Pallet, Full Cage, Safety Yellow, 2 Piece Cage Door, Expand Metal	IPCGSC-SYNS-2DEM
	Instaload Pallet, Full Cage, Black, 2 Piece Cage Door, Expand Metal	IPCGSC-BKNS-2DEM
Propane Cage with Sur-Loc™ Pallet Base	Two Doors and Lock. Designed to handle (22) 33 lb. Propane Cylinders. Professionally Powder-Coated Black.	IPCGPC-BKNS-2DEM

LIQUID CYLINDER PALLET



The Liquid Cylinder Pallet is a Great Microbulk Alternative

The Liquid pallet allows (4) of the LS160/GP45/GP55 liquid dewars to be connected to a common header via the Gas port on the liquid dewar. This allows large volume end users to supply to their downstream application via a regulator attached to one or both of the exit CGA's on the common header.

This is an excellent alternative for suppliers to both utilize dormant dewar assets and supply product to their end users who may not be viable candidates for a microbulk setup with Orca liquid deliveries to their site.

The units can easily be broken down back at the fill plant and replaced with full dewars for the next swap at the client, assuring a continuous supply of gas without the need to make a large investment in a microbulk installation

Standard Features and Available Options

- 4-Way forklift accessible from the bottom.
- Built on a standard Weldcoa Pallet Base with the patented Sur-Loc™ Locking Mechanism
- The pallet base is structurally sound
- A grease reservoir that lubricates all of the moving parts every time the lock is actuated
- Entire pallet is professionally powder-coated for added safety and to also protect from wear, corrosion, impact, and weather
- Complies with Federal DOT regulations
- 100% Made in the USA

PRODUCT	DESCRIPTION	ITEM #
Liquid Cylinder Pallet	Sur Loc 4 Liquid Cylinder 160-180 Liter, Textured Non-Skid Paint, Black	IPLQL4-BTNS
Liquid Cylinder Pallet Manifolds	Liquid Manifold, 4 Cylinder Brass Header, Flexible Double Braided Post-Sintered Teflon Lined Leads MAWP 3,600 PSI,CGA 540, with Standard Pressure Valves	PM04B-FDBP-B540
	Liquid Manifold, 4 Cylinder Brass Header, Flexible Double Braided Post-Sintered Teflon Lined Leads MAWP 3,600 PSI,CGA 580, with Standard Pressure Valves	PM04B-FDBP-B580
	Liquid Manifold, 4 Cylinder Brass Header, Flexible Single Braided Non-Sintered Teflon Lined Leads MAWP 3,000 PSI,CGA 540, with Standard Pressure Valves	PM04B-FNBP-B540
	Liquid Manifold, 4 Cylinder Brass Header, Flexible Single Braided Non-Sintered Teflon Lined Leads MAWP 3,000 PSI,CGA 580, with Standard Pressure Valves	PM04B-FNBP-B580



18 CYLINDER GAS PACK PALLET MANIFOLD



Saves Money and Drastically Improves Efficiency

The 18 cylinder pallet manifold is a terrific alternative to costly micro bulk delivery vehicles for safely delivering higher volumes of gas. It includes 3 quality Weldcoa products: Sur-Loc™ 3 rail pallet, protective hood and manifold with leads. Once required cylinders are placed on the pallet, the hood with manifold can be easily slipped on for an instant cylinder cluster. Now you only need to move the pallet, not 18 individual cylinders. This has become a standard, rather than an alternative to cylinder carts, for distributors across the country.

The Weldcoa pallet manifold can be positioned into a Weldcoa fill island for efficient filling, and it can also be locked onto a Weldcoa truck or trailer for safe transporting.

“By moving from individual cylinders to the clusters, we’ve saved our customers countless hours in labor for cylinder handling. The installations we’ve done allow the customer to no longer have to touch the cylinder. We deliver a new pallet, pick up the old one, and all the customer knows is that their gas supply is constant. As a result, they’re more efficient, and we’re more efficient.”

David Mahoney, President of Noble Gas Solutions

18 CYLINDER GAS PACK BENEFITS

Highly Efficient

18 cylinder cluster greatly reduces cylinder handling.

Cost Saving Alternative to Micro Bulk Delivery

Installs Quickly Without Tools

Fork Lift Accessible

Integrates With Weldcoa Filling and Transportation Systems

The Sur-Loc™ Pallet can be positioned into an accommodating island for efficient filling, and safely locked onto a Weldcoa truck or trailer for transporting.



Details that Make the Difference

- Made specifically with high gas volume end users in mind, the 18 pack is designed to utilize size “T” 300 CU.FT. cylinders.
- Pallet and Hood is professionally powder coated to protect from wear, corrosion, impact, and weather.
- Every Weldcoa manifold assembly is 100% hydrostatically pressure tested to 1.5 times the MAWP, 100% nitrogen leak tested and 100% oxygen cleaned, dried, bagged to meet CGA 4.1 requirements.

PRODUCT	DESCRIPTION	ITEM #
Pallet Options	Weldcoa 3-Rail Sur-Loc Pallet. Supplied with (2) Binder Straps and Brackets. Professionally Powder-Coated with Black Textured Non-Skid Paint.	IPSL3R-BTNS-2
	Weldcoa 3-Rail Link-Loc Pallet Only. Does not include Binder Straps and Bracket. These will need to be supplied by customer. Pallet is Professionally Powder-Coated with Black Textured Non-Skid Paint.	ITAG3R-BTNS
	Weldcoa 3-Rail Link-Loc Pallet. Supplied with (2) Binder Straps and Brackets. Professionally Powder-Coated with Black Textured Non-Skid Paint.	ITAG3R-BTNS-2
18 Cylinder Pallet Bracket and Hood	Steel formed hood. Professionally Powder-Coated Black. Bracket included.	PMBKT-18BK
Manifold Options	18 Cylinder Brass Header, Rigid Stainless Steel Leads, CGA 580, with Standard Valve.	PM18B-SSBPB580
	18 Cylinder Brass Header, Flexible Double Braided Post-Sintered Teflon Lined Leads MAWP 3,600 PSI, CGA 540, with Standard Valve.	PM18B-FDBPB540
	18 Cylinder Brass Header, Flexible Double Braided Post-Sintered Teflon Lined Leads MAWP 3,600 PSI, CGA 580, with Standard Valve.	PM18B-FDBPB580

Other CGA and manifold options are available upon request.

STACK-LOC™ 4 RAIL



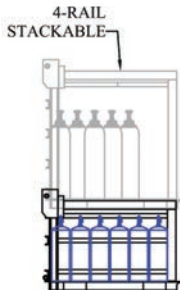
Shown: Two Stack-Loc™ Pallets (Part number IPST4R-WB) stacked on top of each other.

Double Your Working Payload

The Stack-Loc™ Pallet is a traditional Weldcoa Sur-Loc™ 4-Rail Pallet with added vertical supports and an X frame for rigidity. Designed to be very versatile. Great option for doubling your working payload on all small cylinder and dry goods.

Standard Features and Available Options

- Features all the benefits and safety of a Sur-Loc™ and more
- Pallets lock on to each other the same way they're secured onto our pallet trucks and trailers
- A maximum of 2000 lbs. can be carried on the upper pallet
- The payload is held in place with traditional binder straps (rated at 10,000 lbs. breaking strength)
- Upper and lower pallets are interchangeable
- Designed for universal uses.
- Stack-Loc™ pallets have 4-way entry and are self-aligning when positioned into a pallet truck or trailer.
- Entire pallet is professionally powder-coated to protect from wear, corrosion, impact, and weather
- Standard powder-coated paint is available in several colors.
- Complies with Federal DOT regulations 49 CFR 393.102 & CFR 177.840.
- 100% Made in the USA

PRODUCT	DESCRIPTION	ITEM #
Stack-Loc™ 4 Rail Pallets 	Designed for Small Cylinders and Carts. Professionally Powder-Coated Black.	IPST4R-BK
	Designed for Small Cylinders and Carts. Professionally Powder-Coated Cardinal Red.	IPST4R-CR
	Designed for Small Cylinders and Carts. Professionally Powder-Coated Safety Orange.	IPST4R-SO
	Designed for Small Cylinders and Carts. Professionally Powder-Coated Weldcoa Blue.	IPST4R-WB
	Designed for Small Cylinders and Carts. Professionally Powder-Coated Safety Yellow	IPST4R-SY
	Designed for Small Cylinders and Carts. Professionally Powder-Coated John Deere Green	IPST4R-JG

STACK-LOC™ MC ACETYLENE



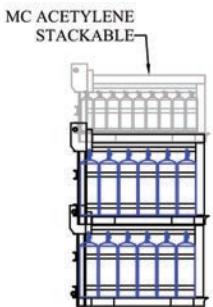
Shown: Three MC Stack-Loc™ Pallets
(Part number IPSTMC-WB) stacked on top of each other.

Securely Transport MC Size Acetylene Cylinders

The Stack-Loc™ MC Acetylene Pallet was designed specifically to alleviate the portability and security problems normally associated with transporting and handling smaller cylinders. Each cylinder is individually secured within the frame. This not only prevents the cylinders from escaping but also prevents label damage.

Details that Make the Difference

- Each cylinder is individually secured within the Stack-Loc's frame. This prevents the cylinders from escaping but also prevents label damage
- The pallet locks on to the delivery vehicle and the bottles are locked within the cart frame
- To protect the cylinder valve, the pallet has been designed with adequate height clearance
- Each MC Stack-Loc Pallet can carry up to 81 cylinders
- Pallets lock on to each other the same way they're secured onto our pallet trucks and trailers
- Works with any Weldcoa pallet truck or trailer
- Can be stacked up to 5 pallets high for storage in your yard/facility
- Entire pallet is professionally powder-coated for added safety and to also protect from wear, corrosion, impact, and weather
- Complies with Federal DOT regulations 49 CFR 393.102 & CFR 177.840
- 100% Made in the USA

PRODUCT	DESCRIPTION	ITEM #
Stack-Loc™ MC Acetylene Pallets 	Designed for Small MC Acetylene Cylinders Professionally Powder-Coated Black.	IPSTMC-BK
	Designed for Small MC Acetylene Cylinders Professionally Powder-Coated Cardinal Red.	IPSTMC-CR
	Designed for Small MC Acetylene Cylinders Professionally Powder-Coated Safety Orange.	IPSTMC-SO
	Designed for Small MC Acetylene Cylinders Professionally Powder-Coated Weldcoa Blue.	IPSTMC-WB
	Designed for Small MC Acetylene Cylinders Professionally Powder-Coated Safety Yellow.	IPSTMC-SY
	Designed for Small MC Acetylene Cylinders Professionally Powder-Coated John Deere Green.	IPSTMC-JG

STACK-LOC™ PALLETS WITH SUR-LOC™ LOCKING SYSTEM

STACK-LOC™ B ACETYLENE



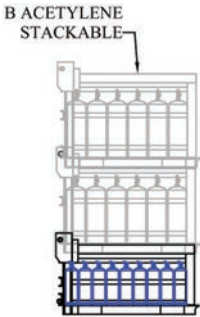
Shown: Two B Stack-Loc™ Pallets (Part number IPSTBA-BK) stacked on top of each other.

Efficiently Store and Transport B Acetylene Cylinders

The Stack-Loc™ Pallet B Acetylene model provides a secure, space efficient solution for storing and/or transporting B size Acetylene cylinders. Durable, long lasting product that will provide years of reliable service.

Standard Features

- Capable of handling 36 “B” size acetylene cylinders per pallet
- Each cylinder is individually secured within the Stack-Loc’s frame. This prevents the cylinders from escaping but also prevents label damage
- The pallet locks on to the delivery vehicle and the bottles are locked within the cart frame
- Can be stacked up to 3 pallets high for storage in your yard or facility
- Pallets lock on to each other the same way they’re secured onto our pallet trucks and trailers
- Works with any Weldcoa pallet truck or trailer
- Entire pallet is professionally powder-coated for added safety and to also protect from wear, corrosion, impact, and weather
- Complies with Federal DOT regulations 49 CFR 393.102 & CFR 177.840
- 100% Made in the USA

PRODUCT	DESCRIPTION	ITEM #
Stack-Loc™ B Acetylene Pallets 	Designed for Small B Acetylene Cylinders. Professionally Powder-Coated Black.	IPSTBA-BK
	Designed for Small B Acetylene Cylinders. Professionally Powder-Coated Cardinal Red.	IPSTBA-CR
	Designed for Small B Acetylene Cylinders. Professionally Powder-Coated Safety Orange.	IPSTBA-SO
	Designed for Small B Acetylene Cylinders. Professionally Powder-Coated Weldcoa Blue.	IPSTBA-WB
	Designed for Small B Acetylene Cylinders. Professionally Powder-Coated Safety Yellow.	IPSTBA-SY
	Designed for Small B Acetylene Cylinders. Professionally Powder-Coated John Deere Green.	IPSTBA-JG

STACK-LOC™ D&E MEDICAL



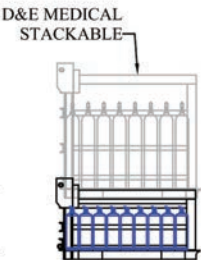
Shown: One D&E Stack-Loc™ Pallet (Part number IPSTDE-JG), and close-up of cylinder locking mechanism.

Securely Transport D&E Medical Cylinders

The Stack-Loc™ Pallet D & E Medical model was designed specifically to alleviate the portability and security problems normally associated with transporting and handling smaller cylinders.

Standard Features

- Capable of handling (64) D or E size medical cylinders
- Each cylinder is individually secured within the Stack-Loc's frame. This prevents the cylinders from escaping but also prevents label damage
- The pallet locks on to the delivery vehicle and the bottles are locked within the cart frame
- To protect the cylinder valve, the pallet has been designed with adequate height clearance
- Pallets lock on to each other the same way they're secured onto our pallet trucks and trailers
- Works with any Weldcoa pallet truck or trailer
- Entire pallet is professionally powder-coated for added safety and to also protect from wear, corrosion, impact, and weather
- Complies with Federal DOT regulations 49 CFR 393.102 & CFR 177.840
- 100% Made in the USA

PRODUCT	DESCRIPTION	ITEM #
Stack-Loc D&E™ Medical Pallets 	Designed for D or E size Medical Cylinders. Professionally Powder-Coated Black.	IPSTDE-BK
	Designed for D or E size Medical Cylinders. Professionally Powder-Coated Cardinal Red.	IPSTDE-CR
	Designed for D or E size Medical Cylinders. Professionally Powder-Coated Safety Orange.	IPSTDE-SO
	Designed for D or E size Medical Cylinders. Professionally Powder-Coated Weldcoa Blue.	IPSTDE-WB
	Designed for D or E size Medical Cylinders. Professionally Powder-Coated Safety Yellow.	IPSTDE-SY
	Designed for D or E size Medical Cylinders. Professionally Powder-Coated John Deere Green.	IPSTDE-JG

DOUBLE WIDE PALLETS



Ideal for Moving 1 Ton's Around

Double wide pallets are primarily used in the handling and transportation of 1 Ton liquid units, utilizing additional welded on D Rings for horizontal securement strapping of said units.

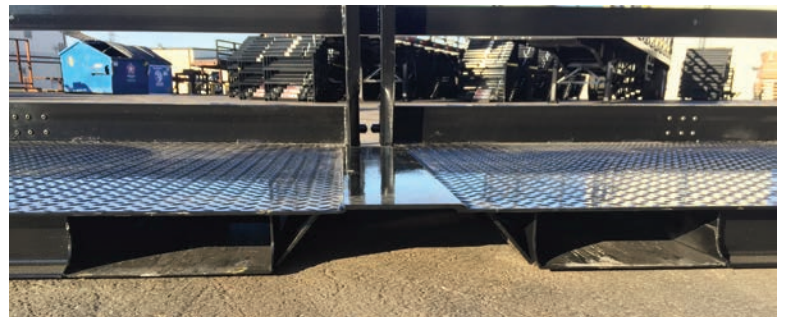
The pallets can also be used for handling and transport of standard high pressure cylinders that traditionally nest in an upright position, but utilizing individual pallets for this purpose is preferable.

As shown, the unit can be moved in traditional fashion with a forklift, utilizing the center forklift pockets. The outer lock assemblies are manual in nature, using a Destaco hand lock as there would be no way to use a forklift to actuate the locking system in all 4 locations.



Details that Make the Difference

- Weight is approximately 6,708 lbs empty, width is 100 3/4", height is 38 1/4"
- To protect the cylinder valve, the pallet has been designed with adequate height clearance
- Pallets lock on to each other the same way they're secured onto our pallet trucks and trailers
- Works with any Weldcoa pallet truck or trailer
- Entire pallet is professionally powder-coated for added safety and to also protect from wear, corrosion, impact, and weather
- Complies with Federal DOT regulations
- 100% Made in the USA



PRODUCT	DESCRIPTION	ITEM #
Double Wide Pallets	3 Rail, No Sides, 7" Center Cross Tube Width, 4 Recessed D-Rings Professionally Powder-Coated with Black Textured Non-Skid Paint.	IPSL3D-BTNS-HL7C-DR
	4 Rail, No Sides, 7" Center Cross Tube Width, 4 Recessed D-Rings Professionally Powder-Coated with Black Textured Non-Skid Paint.	IPSL4D-BTNS-HL7C-DR

YARD PALLETS



An Alternative, Cost-Effective Solution for Moving Clusters of Cylinders Throughout the Fill Plant

Yard Pallets offer the same quality manufacturing as our popular Sur-Loc pallets, but without the locking structure that secures Sur-Loc pallets to trucks and trailers. Yard pallets are a cost effective solution for moving clusters of cylinders through the filling process, within a fill plant, **when a transportation locking mechanism is not required.**

Standard Features and Available Options

- Entire pallet is professionally powder-coated in yellow to easily identify them as yard pallets
- 4-way entry fork pockets are re-enforced to eliminate the possibility of broken plates
- Holds up to 21 “T” cylinders (18 cylinders are recommended in order to have a center aisle)
- The pallet deck can accommodate any standard 4’ x 4’ wood pallet and cargo
- The corners of the diamond plate deck have been blunted for improved safety
- The pallet base is structurally sound
- All of our pallets are manufactured by robots at our facility to ensure quality welds and consistency
- 100% made in the USA

PRODUCT	DESCRIPTION	ITEM #
Yard Pallets	Yard Pallet, 3 Rail, No Sides, Safety Yellow, No Locks	IPSL3R-SYNS-NL
	Yard Pallet, 3 Rail, No Sides, Safety Yellow, No Locks, 1 Strap	IPSL3R-SYNS-NL-1
	Yard Pallet, 3 Rail, No Sides, Safety Yellow, No Locks, 2 Straps	IPSL3R-SYNS-NL-2
	Yard Pallet, 4 Rail, No Sides, Safety Yellow, No Locks	IPSL4R-SYNS-NL
	Yard Pallet, 4 Rail, No Sides, Safety Yellow, No Locks, 1 Strap	IPSL4R-SYNS-NL-1
	Yard Pallet, 4 Rail, No Sides, Safety Yellow, No Locks, 2 Straps	IPSL4R-SYNS-NL-2

SUR-LOC™ STORAGE RACKS





Organize Cylinders and Fully Utilize Space

Weldcoa's modular pallet storage rack system allows the customer to customize their cylinder pallet storage requirements based on available space, material flow and volume needs. The system allows for future growth by allowing for expansion, reconfiguration and relocation with just a few basic tools. The storage racks are suitable for indoor and outdoor use.

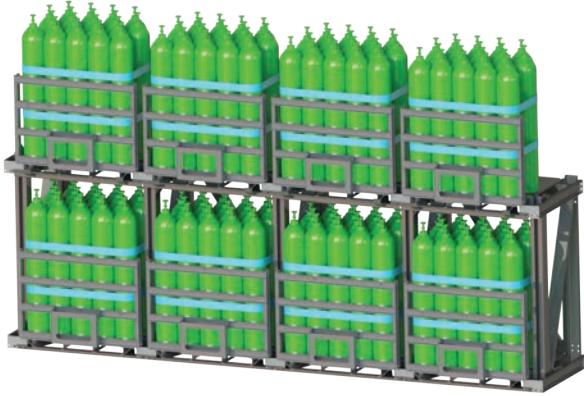
Choose From Several Configuration Options

Single-Sided: Units can be assembled to any length needed. (Single sided units would normally be installed along walls, fences or other perimeters.)

continued on next page >

PRODUCT	DESCRIPTION	ITEM #
Sur-Loc Storage Racks  	1 Pallet Double, 77" Standard, Black, Attachable Unit	SR1D-STWBKAU
	1 Pallet Single, 101" High, Black, Attachable Unit	SR1S-HGWBKAU
	1 Pallet Single, 77" Standard, Black, Attachable Unit	SR1S-STWBKAU
	2 Pallet Double, 101" High, Black, Attachable Unit	SR2D-HGWBKAU
	2 Pallet Double, 101" High, Black, Main Unit	SR2D-HGWBKMU
	2 Pallet Double, 77" Standard, Black, Attachable Unit	SR2D-STWBKAU
	2 Pallet Double, 77" Standard, Black, Main Unit	SD2D-STWBKMU
	2 Pallet Single, 101" High, Black, Attachable Unit	SR2S-HGWBKAU
	2 Pallet Single, 101" High, Black, Main Unit	SR2S-HGWBKMU
	2 Pallet Single, 77" Standard, Black, Attachable Unit	SR2S-STWBKAU
	2 Pallet Single, 77" Standard, Black, Main Unit	SR2S-STWBKMU
	101" High, Black, 1 Pallet Wide Back	SRXX-HGWBKXX-1PBK
	101" High, Black, 2 Pallet Wide Back	SRXX-HGWBKXX-2PBK
	101" High, Black, Side	SRXX-HGWBKXX-SIDE
	77" Standard, Black, 1 Pallet Wide Back	SRXX-STWBKXX-1PBK
	77" Standard, Black, 2 Pallet Wide Back	SRXX-STWBKXX-2PBK
	77" Standard, Black, Side	SRXX-STWBKXX-SIDE
	Black, Lower V	SRXX-XXWBKXX-LOWV
	Black, Upper V	SRXX-XXWBKXX-UPPV

LINK-LOC™ STORAGE RACKS



Double-Sided: Units can be assembled to any length needed. (Double sided unit would be installed where access to both sides is available. This optimizes the space utilization and is recommended when possible.)

“L”, “T” and “U” Configurations: can also be created to fit inside buildings and yards to meet customer needs.

Standard Features and Available Options

- Standard height: 77”
- Maximum height available 101” (gas packs)
- Weight capacity: 7000 lbs (including pallet)
- Available in single-sided and double-sided
- 100% Made in the USA

PRODUCT	DESCRIPTION	ITEM #
Link-Loc Storage Racks	1 Pallet Double, 77" Standard, Black, Attachable Unit	SR1D-STTBKAU
	1 Pallet Single, 101" High, Black, Attachable Unit	SR1S-HGTBKAU
	1 Pallet Single, 77" Standard, Black, Attachable Unit	SR1S-STTBKAU
	2 Pallet Double, 101" High, Black, Attachable Unit	SR2D-HGTBKAU
	2 Pallet Double, 101" High, Black, Main Unit	SR2D-HGTBKMU
	2 Pallet Double, 77" Standard, Black, Attachable Unit	SR2D-STTBKAU
	2 Pallet Double, 77" Standard, Black, Main Unit	SR2D-STTBKMU
	2 Pallet Single, 101" High, Black, Attachable Unit	SR2S-HGTBKAU
	2 Pallet Single, 101" High, Black, Main Unit	SR2S-HGTBKMU
	2 Pallet Single, 77" Standard, Black, Attachable Unit	SR2S-STTBKAU
	2 Pallet Single, 77" Standard, Black, Main Unit	SR2S-STTBKMU
	101" High, Black, Side	SRXX-HGTBKXX-SIDE
	77" Standard, Black, Side	SRXX-STTBKXX-SIDE
	77" Standard, Black, 1 Pallet Wide Back	SRXX-STWBKXX-1PBK
	77" Standard, Black, 2 Pallet Wide Back	SRXX-STWBKXX-2PBK
	101" High, Black, 1 Pallet Wide Back	SRXX-HGWBKXX-1PBK
	101" High, Black, 2 Pallet Wide Back	SRXX-HGWBKXX-2PBK
	Black, Lower V	SRXX-XXTBKXX-LOWV
	Black, Upper V	SRXX-XXTBKXX-UPPV

PALLETIZED TRUCK BODIES



Transport Palletized Cylinders More Safely and Efficiently

Weldcoa's Insta-Load Pallet System™ with Sur-Loc™ pallets moves more cylinders faster and with less handling. The net outcome is an increase in your production and a decrease in your labor costs.

All of Weldcoa's truck bodies are manufactured out of structural steel tubing. They are manufactured in Weldcoa's facility and can be shipped anywhere in the world. The truck bodies can be installed quickly and are secured onto the chassis using U bolts and wood firing strips. Historically, the average Weldcoa truck body will outlive a chassis 3 times over. In each case, the palletized body is simply transferred over to the new chassis.

A wide range of truck bodies and trailers are available and manufactured to fit your needs, including 4, 6, 8 and 10 pallet configurations.

Standard Features and Available Options

- Bodies manufactured with structural steel tubing
- Available in 4, 6, 8 and 10 Pallet Configurations
- Professionally powder coated to protect from wear, corrosion, impact, and weather
- Complies with Federal DOT regulations 49 CFR 393.102 & CFR 177.840
- 100% Made in the USA

CONTACT US TODAY TO START YOUR ORDER!
SALES@WELDCOA.COM

SMART BED PALLETIZED TRUCK BODIES



Gain Measureable Time Savings at Every Stop

Make deliveries faster and easier with a Weldcoa Smart Bed truck body. Dramatically reduce loading and unloading delivery times.

The Smart Bed Palletized truck body incorporates stairs behind the cab that allows for the driver to enter the truck body through a secure gate, without the need to lower and raise the liftgate for entry. A typical delivery that used to require the lowering and raising of the liftgate 3 times now only requires only 1 time.

Standard Features and Available Options

- Bodies manufactured with structural steel tubing
- Available in 4, 6, 8 and 10 Pallet Configurations
- Professionally powder coated to protect from wear, corrosion, impact, and weather
- Complies with Federal DOT regulations 49 CFR 393.102 & CFR 177.840
- 100% Made in the USA

GREATLY REDUCE LIFTGATE ACTIVITY TIME

Standard Truck Body = **6X**



Driver lowers liftgate and rides up on gate to access Truck Bed.

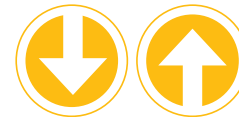


Driver chooses cylinders required for delivery and lowers cylinders down via liftgate.

Driver returns to truck with empties and rides up liftgate.



Driver secures empties and rides liftgate down. Driver returns gate to up position and secures.



Driver ascends stairs behind cab and enters truck body through secure gate. Driver chooses cylinders required for delivery and lowers cylinders down via liftgate.

Driver returns to truck with empties and rides up liftgate. Driver secures empties and liftgate. Driver walks out gate and down stairs.

**MEASURABLE
TIME SAVINGS AT
EVERY STOP**

PALLETIZED TRAILERS



Transport Palletized Cylinders More Safely and Efficiently

Weldcoa's Insta-Load Pallet System™ with Sur-Loc™ pallets moves more cylinders faster and with less handling. The net outcome is an increase in your production and a decrease in your labor costs.

All of Weldcoa's trailers are manufactured in our facility, to our rigid quality standards, and can be shipped anywhere in the world.

Standard Features and Available Options

- Bodies manufactured with structural steel tubing
- Available in 12, 14, 16, 18 and 20 Bay Configurations
- Available in 96" and 101" widths
- Professionally powder coated to protect from wear, corrosion, impact, and weather.
- Complies with Federal DOT regulations 49 CFR 393.102 & CFR 177.840
- 100% Made in the USA



**CONTACT US TODAY TO
START YOUR ORDER!
SALES@WELDCOA.COM**



PALLET ACCESSORIES

PORTABLE DOCKS AND PALLET RAMPS



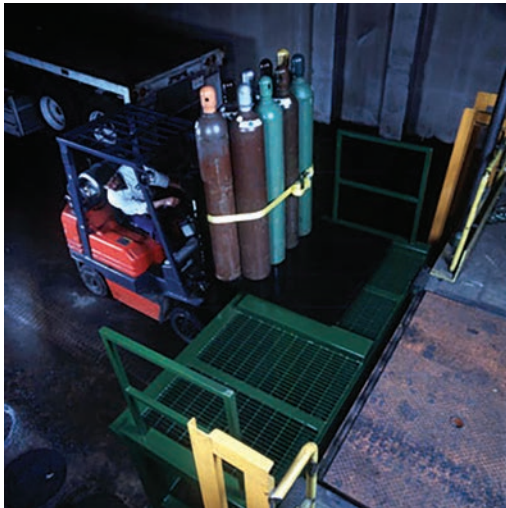
Sur-Loc™ Pallets come with a variety of accessories that will complement your palletization system.

Portable Docks

Portable Docks can serve as a temporary extension of the existing dock. They bring the pallets to floor level with the permanent dock, allowing for easier loading and unloading of cylinders.

Pallet Ramps

Pallet Ramps allow for easier loading and unloading conditions during cylinder sorting.



PRODUCT	DESCRIPTION	ITEM #
Instaload Portable Docks	Adjustable Portable 2 Pallet Dock, Black	IM-ADPDK-BK
Instaload Pallet Ramps	Floor Level Pallet Ram, Black	IM-FLPRP-BK
	18" Ramp for Sur Loc Pallet, Alumimum	IM-PMP18-XX-AL
	36" Ramp for Sur Loc Pallet, Alumimum	IM-PMP36-XX-AL
	48" Ramp with 26" Angular Distance for Sur Loc Pallet, Alumimum	IM-RMP48X26-XX-AL
	48" Ramp for Sur Loc Pallet, Alumimum	IM-RMP48-XX-AL

LINK-LOC™ DELIVERS THE TOMBSTONE AND SLOT STYLE PALLETS YOU PREFER, AND THE QUALITY YOU SHOULD REQUIRE.

Choose the Ultimate in Quality Tombstone and Stake Style Pallets

Weldcoa has been manufacturing high quality cylinder pallets for over 50 years. We have now added the tombstone and stake style pallet designs to our product offerings with both 3-rail and 4-rail options.

Link-Loc pallets feature a pocket design on the rail side of the pallet. The pocket allows the pallets to slip over a tombstone or stake, to secure to a truck or trailer bed. Link-Loc pallets can be part of an overall palletized system to provide even greater efficiencies.

All Link-Loc™ pallets are laser cut, formed, robotically welded and manufactured at Weldcoa's facility in Aurora, IL. Consistent, precision welded, long lasting results are what you can expect with this most recent cylinder pallet offering.





Structural Capabilities

- Holds up to 21 9.5" diameter cylinders, or 26 7" diameter cylinders
- The pallet deck can accommodate any standard 4' x 4' wood pallet and cargo
- The corners of the diamond plate deck have been blunted for improved safety
- The pallet base is structurally sound

Standard Features and Available Options

- Entire pallet is professionally powder-coated with black, textured, non-skid paint for added safety and to also protect from wear, corrosion, impact, and weather
- Standard powder-coated paint is also available
- Galvanizing is an available option for high corrosive environments
- All of our pallets are manufactured by robots at our facility to ensure quality welds and consistency
- 100% made in the USA

**TOMBSTONE TRUCK BODIES
COMING SOON!**

LINK-LOC™ TOMBSTONE PALLETS



The Right Choice for Tombstone-Style Pallets

Weldcoa has been manufacturing high quality cylinder pallets for over 50 years. We have now added the “tombstone” style pallet design to our product offering with both 3-rail and 4-rail options. All Link-Loc™ pallets are laser cut, formed, robotically welded and manufactured at Weldcoa’s facility in Aurora, IL. Consistent, precision welded, long lasting results are what you can expect with this new cylinder pallet offering.

Standard Features

- Designed to transport high pressure cylinders
- All Link-Loc™ pallet options have 4-way forklift entry
- The tombstone bracket is one solid piece of layered and formed steel plate for added durability and longevity
- The corners of the diamond plate deck have been blunted for improved safety
- The fork pockets are re-enforced and have an oval shaped design specifically to reduce high stress points in the base.
- The pallet base is structurally sound
- Entire pallet is professionally powder-coated with black, textured, non-slip paint for added safety and to also protect from wear, corrosion, impact, and weather
- 100% Made in the USA

TOMBSTONE-STYLE PALLET BENEFITS

Solid Tombstone Bracket

The tombstone bracket is one solid piece of lasered and formed steel plate for added durability and longevity.

Textured Non-Slip Black Paint

All tombstone-style pallets are professionally powder-coated with textured non-skid black paint.

4-Way Forklift Entry

The fork pockets are re-enforced and have an oval shaped design specifically to reduce high stress points in the base.

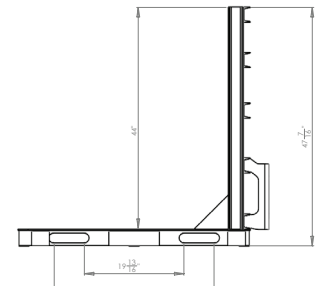
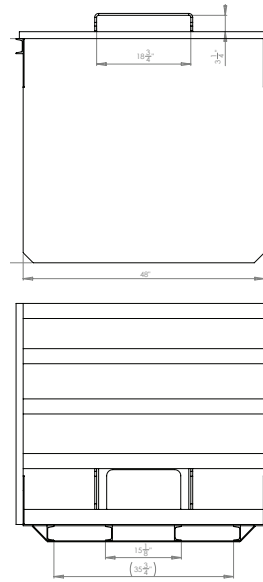
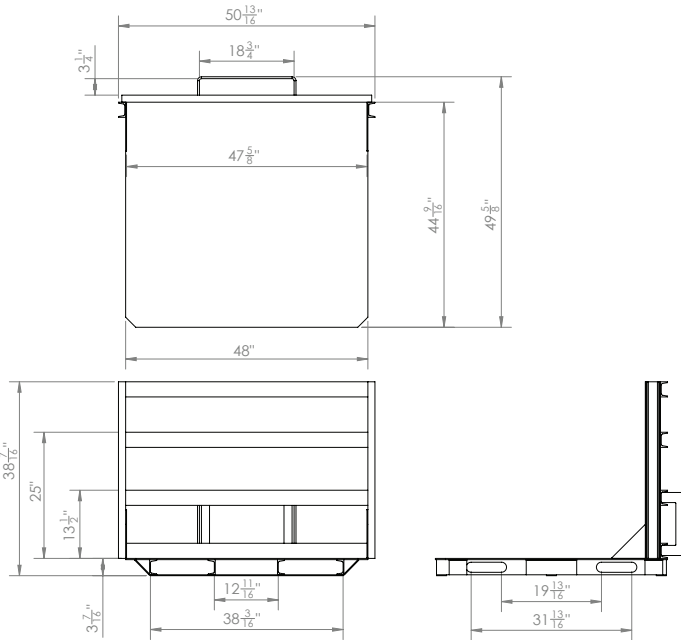
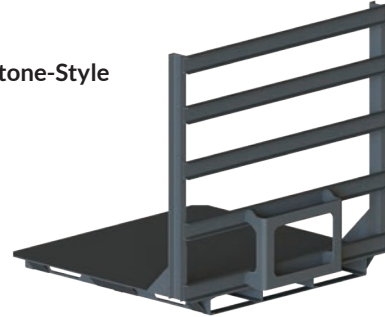
Structurally Sound Pallet Base

100% Made in the USA

**3 Rail
Tombstone-Style
Pallet**



**4 Rail
Tombstone-Style
Pallet**



PRODUCT

DESCRIPTION

ITEM #

**Link-Loc™ Tombstone
Pallets**

3 Rail with No Sides.
Professionally Powder-Coated Textured Non-Slip Paint. Color: Black

ITAG3R-BTNS

3 Rail with No Sides and (2) Double Strap Mounting Brackets
for Cottter Pins. Professionally Powder-Coated
Textured Non-Slip Paint. Color: Black

ITAG3R-BTNP-CP

4 Rail with No Sides.
Professionally Powder-Coated Textured Non-Slip Paint. Color: Black

ITAG4R-BTNS

4 Rail with No Sides and (2) Double Strap Mounting Brackets
for Cottter Pins. Professionally Powder-Coated
Textured Non-Slip Paint. Color: Black

ITAG4R-BTNP-CP

LINK-LOC™ SLOT-STYLE PALLETS



The Right Choice for Slot-Style Pallets

Weldcoa has been manufacturing high quality cylinder pallets for over 50 years. We have now added the “slot” style pallet design to our product offering. All Link-Loc™ pallets are laser cut, formed, robotically welded and manufactured at Weldcoa’s facility in Aurora, IL. Consistent, precision welded, long lasting results are what you can expect with this new cylinder pallet offering.

Standard Features

- Designed to transport high pressure cylinders
- All Link-Loc™ pallet options have 4-way forklift entry
- The corners of the diamond plate deck have been blunted for improved safety
- The fork pockets are re-enforced and have an oval shaped design specifically to reduce high stress points in the base.
- The pallet base is structurally sound
- Entire pallet is professionally powder-coated with black, textured, non-skid paint for added safety and to also protect from wear, corrosion, impact, and weather
- 100% Made in the USA



SLOT-STYLE PALLET BENEFITS

Textured Non-Slip Black Paint

All stake-style pallets are professionally powder-coated with textured non-skid black paint.

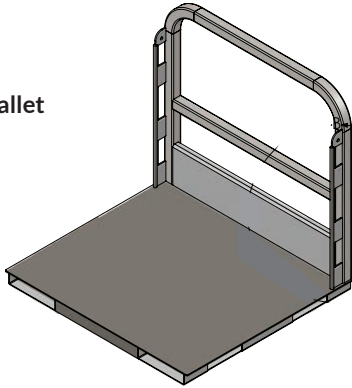
4-Way Forklift Entry

The fork pockets are re-enforced and have an oval shaped design specifically to reduce high stress points in the base.

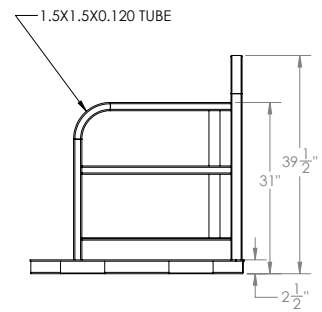
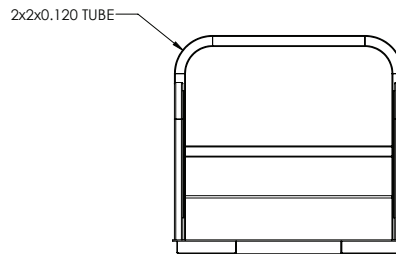
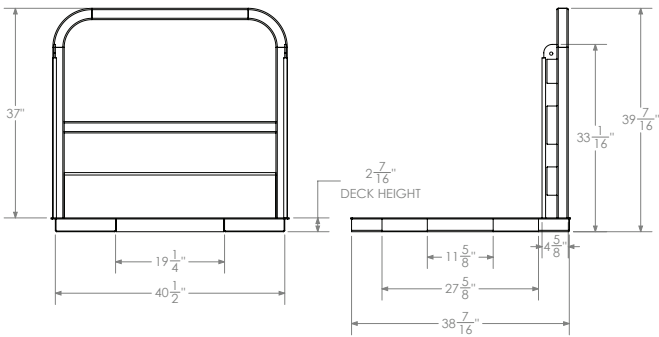
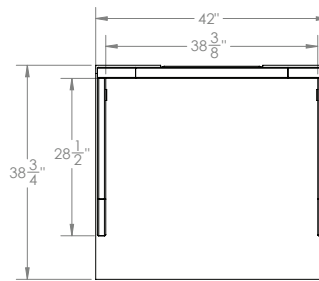
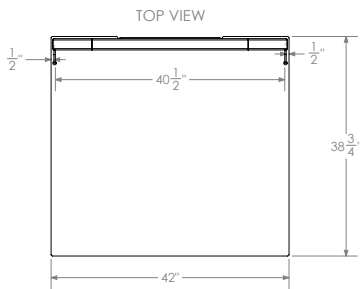
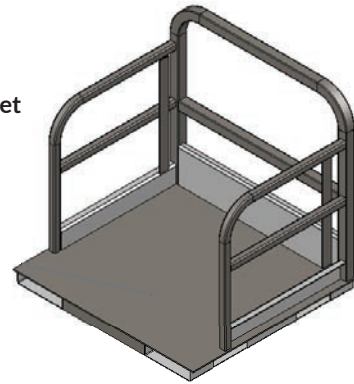
Structurally Sound Pallet Base

100% Made in the USA

No Sides
Slot-Style Pallet



3-Sided
Slot-Style Pallet



PRODUCT

DESCRIPTION

ITEM #

Link-Loc™ Slot-Style
Pallets

Slot Style Tombstone Design, 2 Rail, 3 Sided, Black

ITBA2T-BT3S

Slot Style Tombstone Design, 2 Rail, No Sides, Black

ITBA2T-BTSP

**EMPOWERING
PRODUCTIVITY**

WELDCOA

LOGISTICS PRODUCTS • FILLING PRODUCTS • LONG-TERM SUPPORT • TRAINING & EDUCATION

335 E. Sullivan Rd, Aurora, IL 60505 · 1 (630) 806-2000 weldcoa.com